



Europäisches Patentamt
European Patent Office
Office européen des brevets



(11) EP 0 915 028 A2

(12) EUROPEAN PATENT APPLICATION

(43) Date of publication:
12.05.1999 Bulletin 1999/19

(51) Int Cl.⁶: B65D 53/04, B65D 41/04,
B29C 65/18, B29C 65/56

(21) Application number: 98308853.5

(22) Date of filing: 29.10.1998

(84) Designated Contracting States:
AT BE CH CY DE DK ES FI FR GB GR IE IT LI LU
MC NL PT SE
Designated Extension States:
AL LT LV MK RO SI

(72) Inventor: Kusz, Maximilian
Waterville, Ohio 43566 (US)

(74) Representative: Votler, Sidney David et al
CARPMAELS & RANSFORD
43, Bloomsbury Square
London WC1A 2RA (GB)

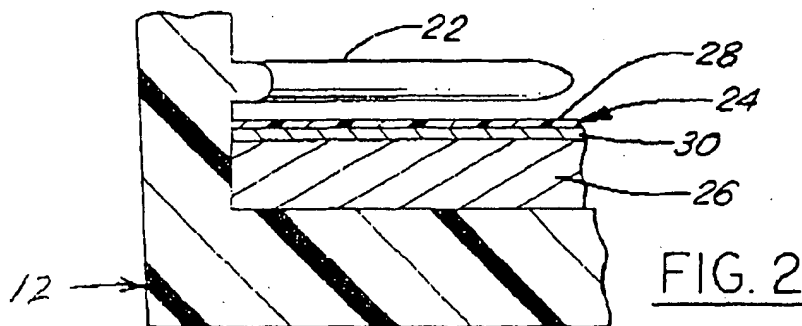
(30) Priority: 31.10.1997 US 962173

(71) Applicant: OWENS-ILLINOIS CLOSURE INC.,
Toledo Ohio 43666 (US)

(54) A method and apparatus for assembling a sealing liner to a plastic closure

(57) A method of constructing a lined closure in which a liner having a circular base, a liner membrane and a thermoplastic adhesive securing the liner membrane to the base, is press fitted into a closure having a skirt with internal threads such that the liner engages and rides over the threads and is positioned against the internal base of the closure. Heat is applied to the liner

at least around the periphery of the liner so as to melt the thermoplastic adhesive and resecure the liner membrane to the liner base. In this way, the liner membrane is resecured to the liner base so as to correct any separation between the membrane and base that might have occurred as the liner was press fitted into the closure.



EP 0 915 028 A2